

**Dongguan GongFu Electronic Co. Ltd. GFEFUSE** Focus on safety fuse holder

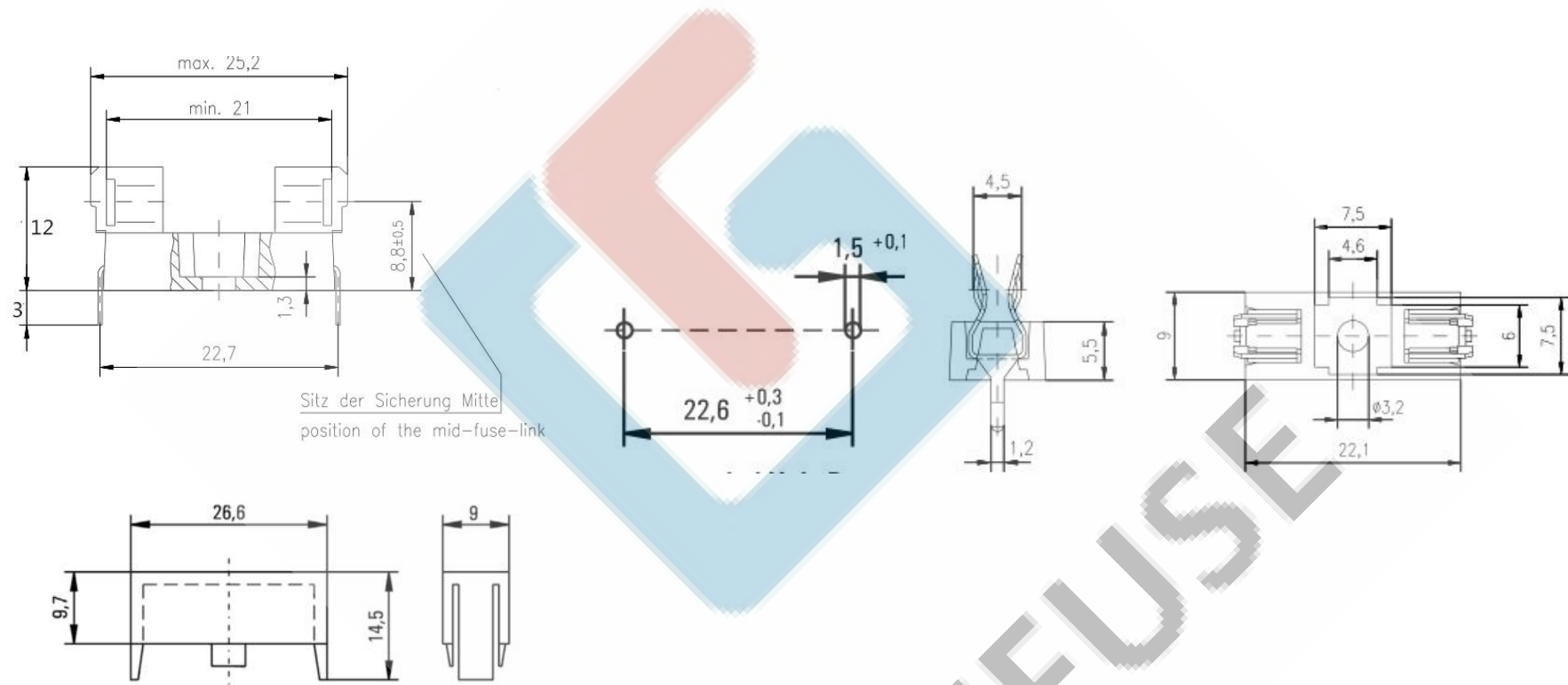
**TEL:0769-82391938**

**81100206**

**FAX:0769-82391939**

**<http://www.gfefuse.com>**

## A: Mechanical drawings of products



**IATF 16949:2016** Quality System Certification Enterprise

**UL CE CQC TUV REACH ROHS** Product international quality safety certification

**Dongguan GongFu Electronic Co. Ltd. GFEFUSE** Focus on safety fuse holder

**TEL:0769-82391938**

**81100206**

**FAX:0769-82391939**

**http://www.gfefuse.com**

## B:Detailed description of the product

- 1.Product model: PTF/15/15S/10(GFEFUSE)**
- 2.rated current: 10A/6.3A 1.6w**
- 3.rated voltage: 250V(AC)UL CUL TUV CE CQC  
(1000VDC)UL CUL**
- 4. split current: 50A**
- 5. Fuse size: 5.2x20mm**
- 6.Base: Black PA66 (UL-94V0)  
Protective cover: transparent PC(UL-94V2)**
- 7.terminal: 0.4mm (phosphor)**
- 8.withstand voltage: 3000VAC**
- 9.contact resistance: <5mΩ**
- 10.insulation resistance: >100MΩ**
- 11.Product safety certification:TUV CE CQC UL CUL**

## C:Packaging requirements

A: pedestal 500PCS/ bag

B: transparent protection cover 500PCS/ bag

C:5000pcs/ box

**Note: Product changes are not notified**

**IATF 16949:2016**Quality System Certification Enterprise

**UL CE CQC TUV REACH ROHS** Product international quality safety certification