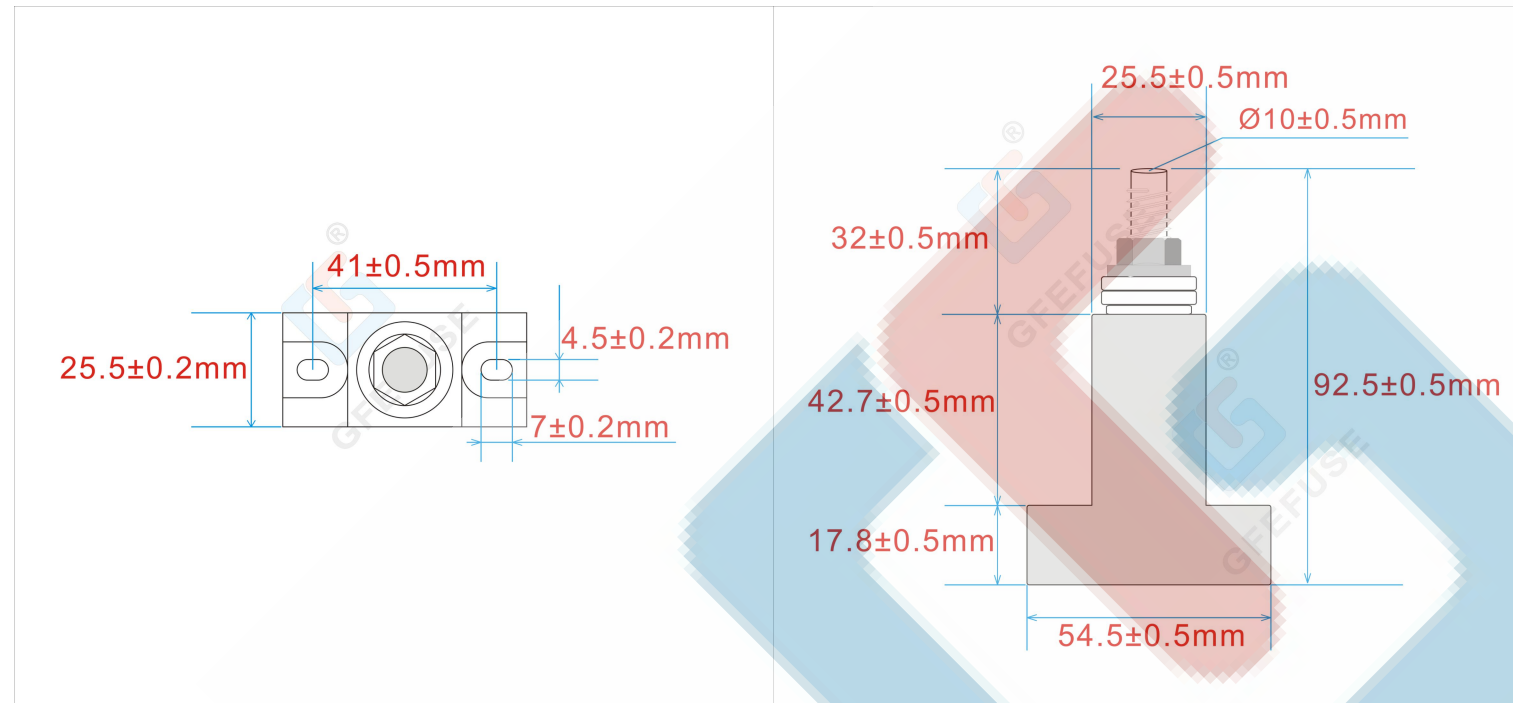


GFEV®-400H Hv fuse holder (fuse holder for charging pile)

1. Installation Dimensions of Product Shape



2. Product performance description;

1. Product Type: GFEFUSE®:GFEV®-400H

2. Voltage Rating 500 V -1500 V

3. Ampere Ratings 50A- 2000A

4. Withstand Rating 200kA

5. Fire Grade:UL-94V0

6. Base material:Phenolic plastics

7. Hardware Contact: Carbon Steel/8.8 Strength

8. Products for charging pile and DC power supply, energy storage battery

Promotion: The company's products are not notified of changes

The company has obtained the quality system certification of IATF:16949:2016 automobile industry.
The product has obtained UL CE CQC TUV REACH and many international certification.